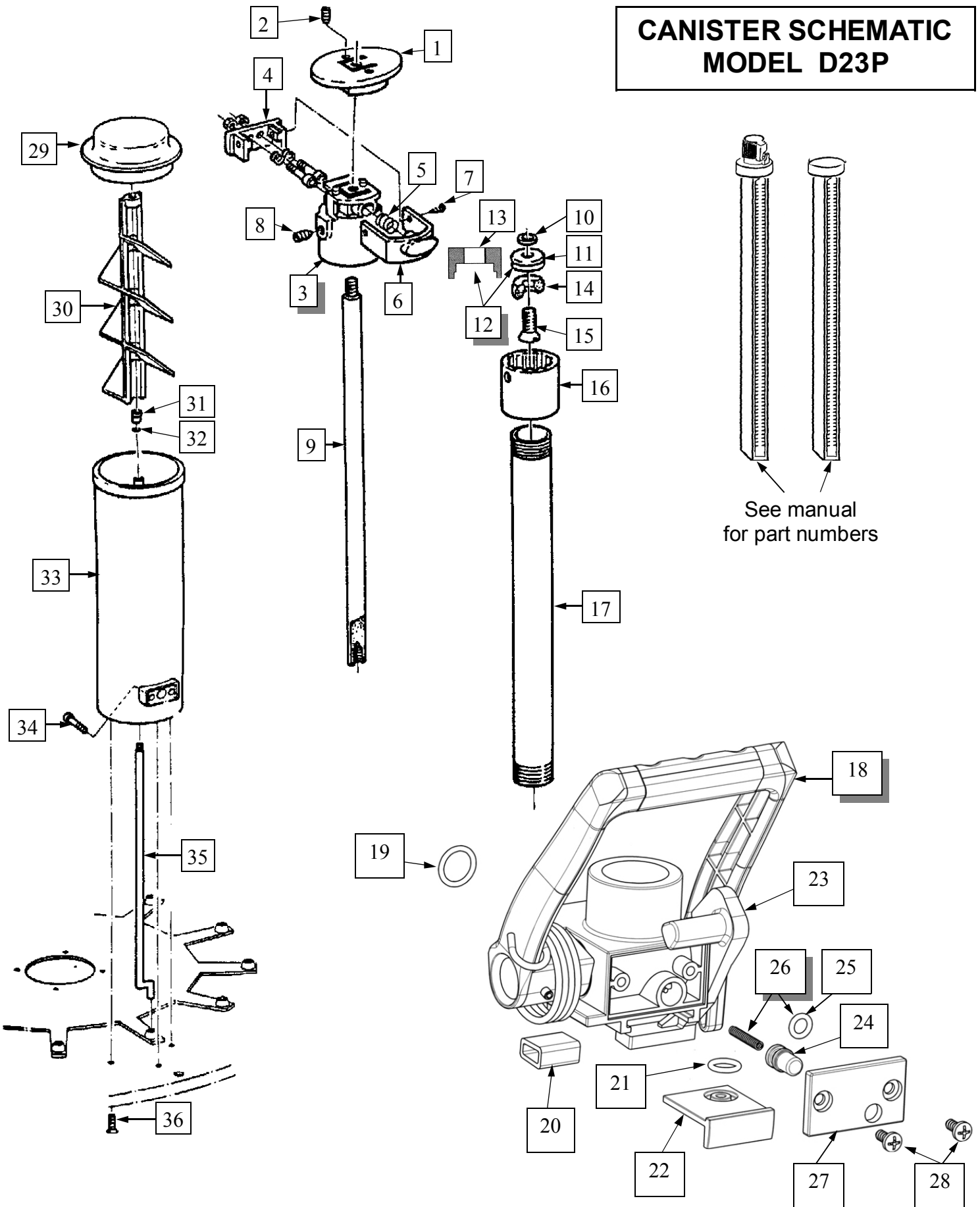


CANISTER SCHEMATIC MODEL D23P



CANISTER SCHEMATIC AND PARTS LIST

MODEL D23P

Please identify or order parts by the appropriate part number and not by reference number. The parts description indicates the quantity of each part per canister, if more than one is required

REF #	PART #	DESCRIPTION
	BL-1700-04	Canister / Pump assembly, less gauge,
1	BL-1000	Plunger handle
2	HW2062	Set screw
3	BL-1501	End cap assembly, c/w # 4-8, & 16
4	BL-1505	Pin bar assembly
5	BL-1032	Spring, gauge pin return
6	BL-1030	Gauge lock bar
7	HW30051P	Screw, 2 per end cap
8	HW2075	Set screw, 2 per end cap
9	BL-1005	Plunger shaft, 2 oz.
10	HW5032	Washer, SS
11	BL-1065	Seal, 2 oz.
12	BL-1510	Seal, 2 oz., with installation tool Ref # 13
13	BL-1067	Installation tool, 2 oz.
14	BL-1066	Plunger seal support
15	HW30623	Screw
16	BL-1025	End sleeve
17	BL-1520	Cylinder, 2 oz., SS
18	BL-1555P	Valve assembly complete, includes Ref # 18, less nozzle
19	BL-1136	O-ring, valve body
20	BL-1176	Wiper pad
21	BL-1192	O-ring, nozzle
22	BL-1185	Nozzle, .094, - S = Small, optional
	BL-1186	Nozzle, .125, - M = Medium, standard on D23P
	BL-1187	Nozzle, .188, - L = Large, optional
	BL-1188	Nozzle, .220, - X = X-Large, optional
23	BL-1173	Auto Accu-Purge wiper arm
24	BL-1405	Piston, Accu-Purge valve
25	BL-1402	O-Ring, Accu-Purge valve
26	BL-1620	Accu-Purge valve assembly, includes spring & o-ring
27	BL-1132	Valve plate
28	HW30051P	Screw, 2 per valve
29	BL-1085	Lid
30	BL-1530	Paddle, 2.5 Qt., assembly
31	BL-1095	Bushing
32	BL-1105	O-ring, paddle bushing
33	BL-1540	Canister shell, polymer, 2.5 Qt., includes Ref # 31, 32
34	HW1017	Cap screw, 2 per canister
35	BL-1115	Paddle drive shaft, 2.5 Qt.
36	HW30629P	Screw, 3 per canister